

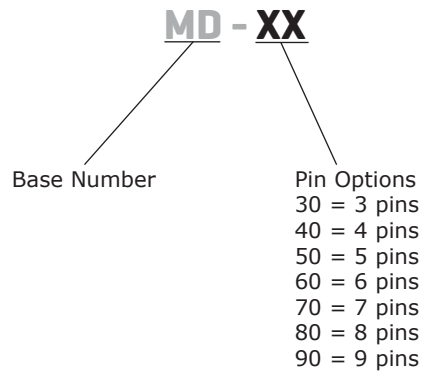
SERIES: MD | **DESCRIPTION:** MINI DIN CONNECTOR

FEATURES

- 3~9 pins
- plastic strain relief
- rated voltage: 100 Vac



PART NUMBER KEY



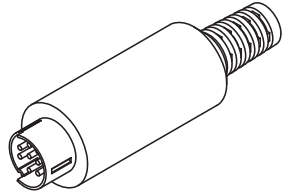
SPECIFICATIONS

parameter	conditions/description	min	typ	max	units
rated input voltage			100 12		Vac Vdc
rated input current	at 100 Vac at 12 Vdc			1 2	A A
contact resistance				30	mΩ
insulation resistance	at 250 Vdc	50			MΩ
voltage withstand	for 1 minute			250	Vac
insertion force				4.5	kg
withdrawl force		0.9		3	kg
operating temperature		-20		105	°C
life			5,000		cycles

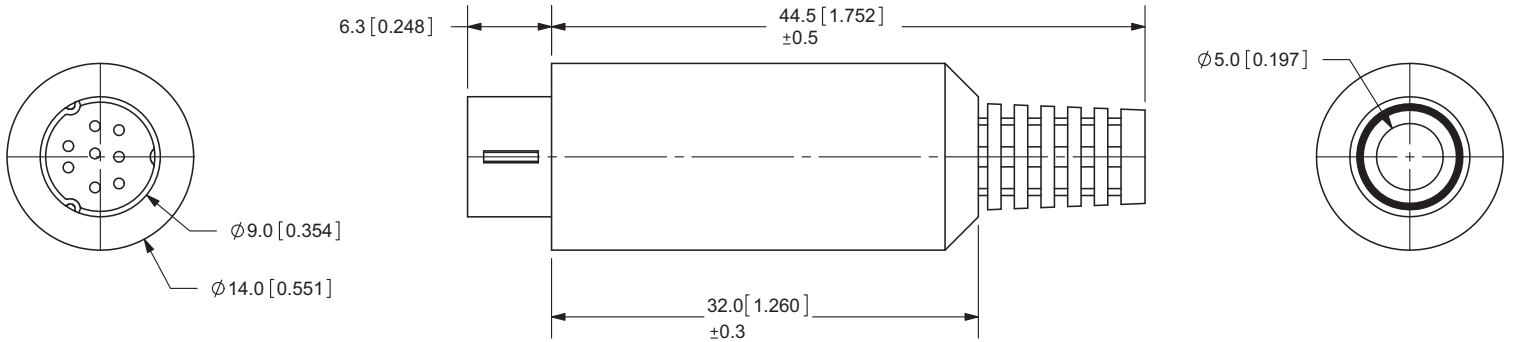
MECHANICAL DRAWINGS

units: mm[inches]

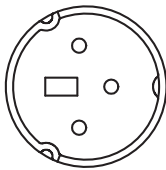
TOLERANCE: ±0.2mm



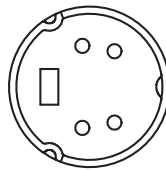
	MATERIAL	PLATING
shield	brass	nickel
pin contacts (1~9)	brass	silver
insulator	Polyamide 6 (PA-1010C2)	
shell	ABS (PA-757)	
cover	UE630 + PELL (LL120)	



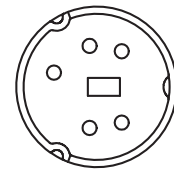
MD-30



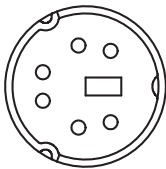
MD-40



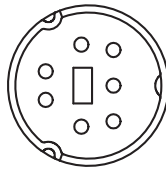
MD-50



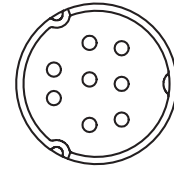
MD-60



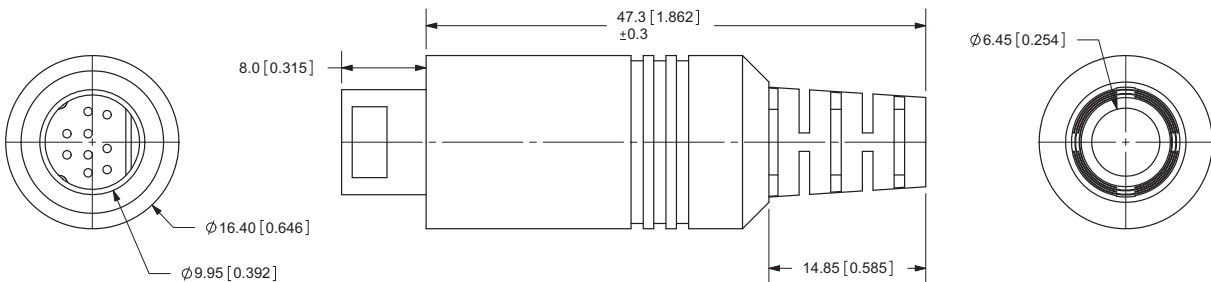
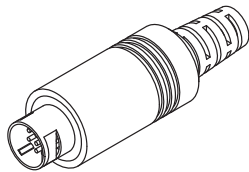
MD-70




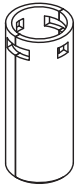
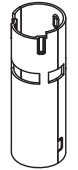
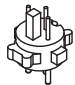
MD-80

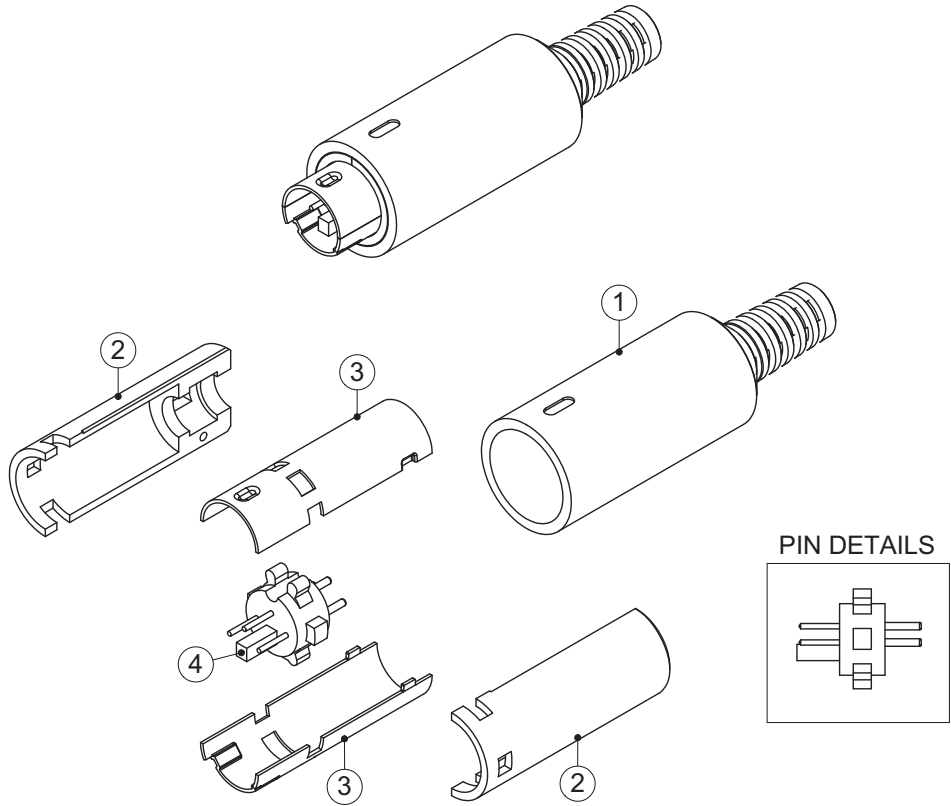


MD-90

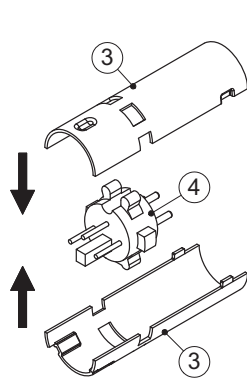


MECHANICAL ASSEMBLY

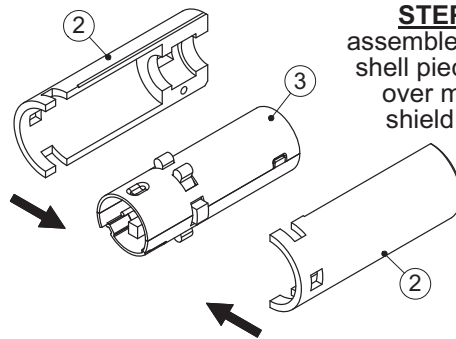
1	
cover	
2	
plastic shell	
3	
metal shield	
4	
housing	



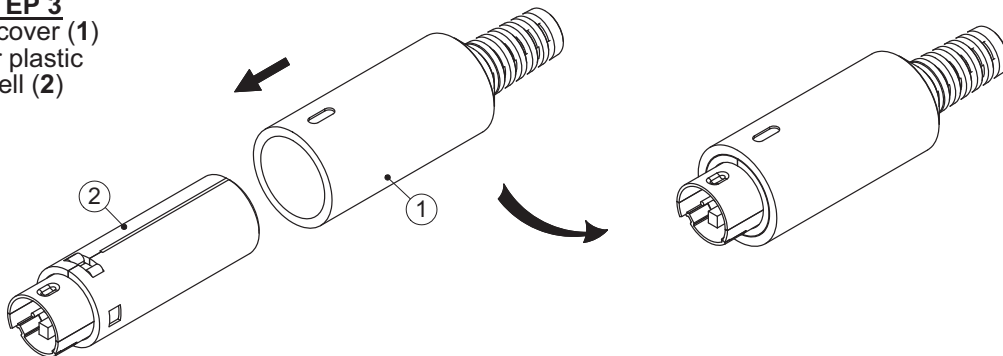
STEP 1
solder wires to
housing (4),
assemble metal
shield pieces (3)
onto housing (4)



STEP 2
assemble plastic
shell pieces (2)
over metal
shield (3)



STEP 3
slide cover (1)
over plastic
shell (2)



REVISION HISTORY

rev.	description	date
1.0	initial release	04/06/2006
1.01	updated dimensions	02/27/2008
1.02	added tolerance	12/01/2009
1.03	added insertion and withdrawal force	05/19/2010
1.04	new template applied	04/09/2012
1.05	updated housing	04/24/2012

The revision history provided is for informational purposes only and is believed to be accurate.



Headquarters
20050 SW 112th Ave.
Tualatin, OR 97062
800.275.4899

Fax 503.612.2383
cui.com
techsupport@cui.com

CUI offers a one (1) year limited warranty. Complete warranty information is listed on our website.

CUI reserves the right to make changes to the product at any time without notice. Information provided by CUI is believed to be accurate and reliable. However, no responsibility is assumed by CUI for its use, nor for any infringements of patents or other rights of third parties which may result from its use.

CUI products are not authorized or warranted for use as critical components in equipment that requires an extremely high level of reliability. A critical component is any component of a life support device or system whose failure to perform can be reasonably expected to cause the failure of the life support device or system, or to affect its safety or effectiveness.